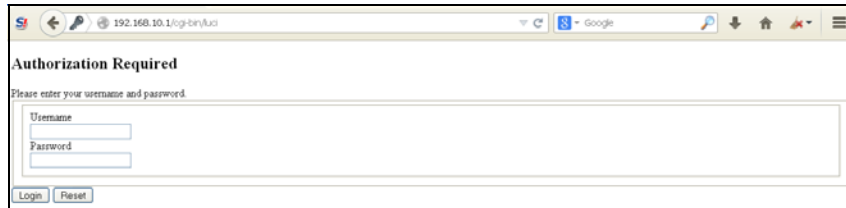


G. Log into the EN-2000

- On the computer, open a web browser. In the browser's address field (URL field), type the EN-2000's default LAN IP address (**192.168.10.1**) and press the **Enter** key.
 - The browser displays the EN-2000 Management System Log-In Screen. If the user name (**admin**) is not displayed, type it.

EN-2000 Management System Log-In Screen



- Type the password (**encore!1**). Then press the console's **Enter** key or select the screen's button to **Log In** (located below the entry fields).
 - The EN-2000 management screens open.
- Select the management system's **Quickstart** tab.
- Configure the EN-2000 for its role in the network. For details, see the *EN-2000™ Quick Configuration Guide*.

H. Log out of the EN-2000

To close the EN-2000 management session, select the tab to **Log Out**.

If the management system is unattended for several minutes, the session will log out automatically. To resume management, log in again.

Note: The EN-2000 remains active and continues its network functions, regardless of management access.

Verizon Wireless has certified the EN-2000™ for use in its 4G LTE networks.

EN-2000™ Quick Installation Guide

A. Collect the Items Needed for Installation

- Get everything out of the shipping box:

EN-2000 Router¹



AC Power Adapter



EN-2000 Package Note



Quick Guide to EN-2000™ LED Codes



- Get additional items required to install the EN-2000:

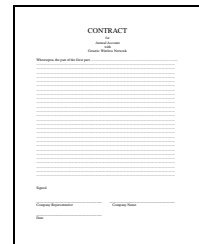
Computer with Web-Browsing Software²



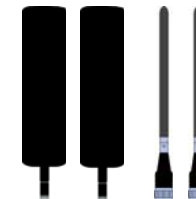
Ethernet Cable



A Cellular Wireless Network Account³



Two to Four Antennas⁴



Mini SIM
(2FF Subscriber Identity Module) for Verizon Wireless 4G LTE Account³

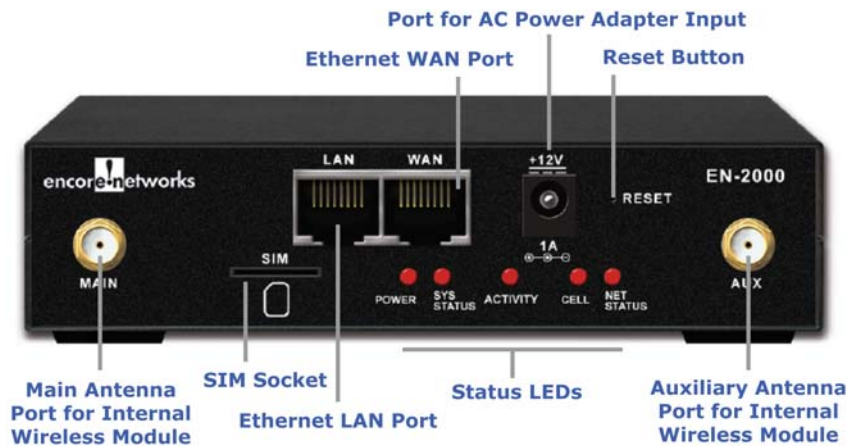
- Make sure you have downloaded the *EN-2000™ Quick Installation Guide* (this guide) and the *EN-2000™ Quick Configuration Guide*, at http://www.encorenetworks.com/en2000_links.htm.

- A 4G Long-Term Evolution (LTE) cellular wireless module and (if ordered) an 802.11 wireless module are installed inside the EN-2000 chassis before shipment.
- JavaScript must be enabled in the web browser.
- The 4G LTE cellular wireless module must have a cellular wireless network account and a Subscriber Identity Module (SIM) for that account. Order a SIM from your Verizon Wireless carrier. SIMs are not shipped with the EN-2000.
- Order cellular wireless antennas or 802.11 wireless antennas from your EN-2000 distributor.

Fold printed page here.

B. View the Ports on the EN-2000 Chassis

EN-2000 Chassis Front



C. Install the SIM

Use a Mini SIM (2FF Subscriber Identity Module) for your Verizon Wireless 4G LTE Account.

- 1 Make sure the EN-2000 is **not** connected to a power source.
- 2 Connect antennas to the ports labeled MAIN and AUX. (Get antennas from your EN-2000 distributor.)
- 3 Insert your Verizon Wireless 4G LTE SIM into the SIM socket on the front of the EN-2000 chassis. Make sure the SIM's notched corner is the left corner going into the SIM socket.

Note: Push the SIM in just far enough to catch. (If you need to remove the SIM, press it again. It will pop forward so that you can remove it.)

D. Connect the Antennas

- 1 Connect antennas to the ports labeled MAIN and AUX on the front of the EN-2000 chassis, to support the cellular wireless module.
- 2 If your EN-2000 also uses a 5 GHz 802.11 wireless module, connect antennas to the ports labeled WIFI on the back of the EN-2000 chassis.

Antenna Ports on Back of EN-2000 Chassis, 5 GHz 802.11 Wireless Model



E. Connect and Start the EN-2000

- 1 Connect an Ethernet cable between the computer's Ethernet port and the Local Area Network port (the LAN port) on the front of the EN-2000.
- 2 Connect other cables to the EN-2000 ports as needed for the EN-2000's functions in the network.
- 3 Connect the EN-2000's AC adaptor to the chassis; then plug the adaptor into an AC wall outlet.
 - ❖ The EN-2000 powers up. If the account is active and has a good cell signal, **the SIM will probably be registered within an hour** (usually within 10 minutes). The Cell LED indicates signal strength and registration status. (For LED patterns, see the *Quick Guide to EN-2000™ LED Codes*.)

F. EN-2000 Factory Defaults

By default, if there is an Ethernet WAN connection, the EN-2000 functions as a failover router for Ethernet WAN to cellular 4G LTE. If there is no Ethernet WAN cable, the EN-2000 acts as a cellular 4G LTE broadband router.

The LAN port (IP address 192.168.10.1) is a DHCP server, and the WAN port is a DHCP client. The cellular wireless module gets its IP address from the carrier.

If the factory default configuration for the EN-2000's operation is sufficient, you may not need to use the remaining sections of this quick guide for the router to be operational.

Note: If the EN-2000 needs to be set to the factory default configuration for any reason, the front panel **Reset** button can be pushed. The sequence is described on the final page of the *EN-2000™ Quick Configuration Guide*.